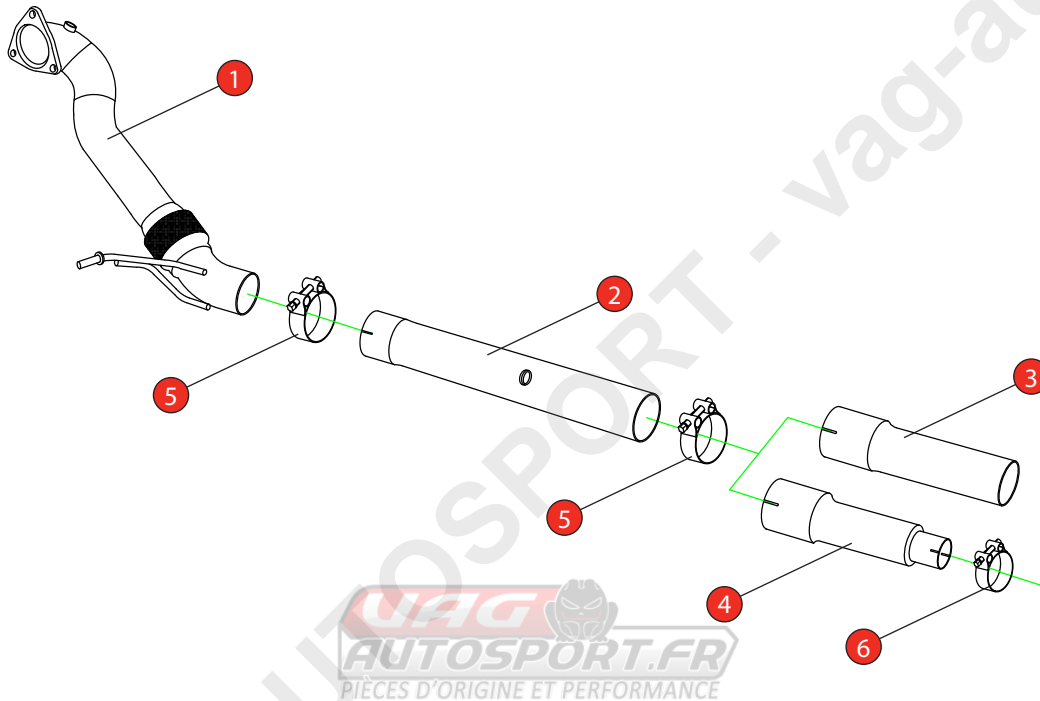


Car	Audi TT MK1 225 BHP	Part No.	SAUC075
Year	1998-2005	Fit Kits	280FK
Notes	Where not supplied use original fittings	Features	Pipe Diameter:- 76mm

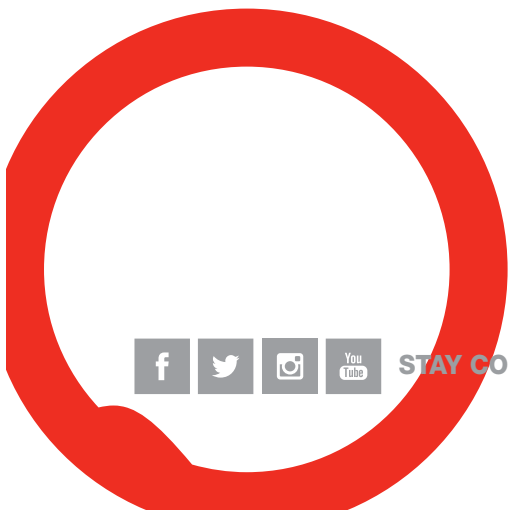
Estimated Fitting Time: 8 Hours



NO.	PART NO.	DESCRIPTION	QTY
1	691AU	Turbo Downpipe	1
2	689AU	De-cat Front Pipe	1
Fit Kit			
3	AD93	Adaptor (to fit to Scorpion cat-back system)	1
4	AD97	Adaptor (to fit to OE cat-back system)	1
5	Z016.10062	79.2mm H/D Clamp	2
6	Z016.10064	63-68mm Clamp	1

CLASSIFICATION	Motorsport Use Only
HOMOLOGATED	No
DATE	27/04/18
ISSUE	02
AUTHORISED	M.Ydlibi

NOTE: ENSURE SCORPION SYSTEM IS CLEAR OF MOVING PARTS AND ALL ORIGINAL FUNCTIONS WORK CORRECTLY.



STAY CONNECTED TO RED POWER.